

GRAVIT "Light"

- Accuracy: $\pm 0,5\%$
- Easy maintenance and commissioning
- Longevity
- Permanent technical enhancement
- Suitable for shredded plastics, household waste, biomass fluff, wood, chips or sawdust with a max. density of 300 kg/m^3



Cement
Power plants



- ✓ Modular construction
- ✓ Mild steel frame
- ✓ Closed material guiding channel
- ✓ Inlet weighing for controlling a pre-feeder
- ✓ Light material belt
- ✓ Max. capacity $350 \text{ m}^3/\text{h}$
- ✓ Low maintenance
- ✓ Nonsensitive to foreign material
- ✓ Turn-down ratio 1:40
- ✓ ATEX Version available on request

Specialities:

Belt scraper:

Special belt scraper made of PE-UHMW for smooth cleaning of the belt.



Silicon skirting :

Sealing between material guiding channel and belt is made by silicon skirts.

Options:

Spillage conveyor :

One ore more scraper(s) driven by two chains recover the particles that escaped from the weighfeeder and convey it to the common discharge point.



Feed screw :



Controller:

Weighfeeder signals and information, such as Weight, Speed, Belt tracking, Belt index are directly connected to the SCM controller. The SCM controller calculates the actual flowrate, totalizes the conveyed material and generates the control signal for the variable speed drive.

The pre-feeder is controlled as a function of the inlet weighing.

Detailed alarm informations are obtained via the display (SDU).

* SCM2 Field or Panel version:

see : *scm2f-260-001-en-d. or scm2p260-001-en-d.*



SCM2-Panel



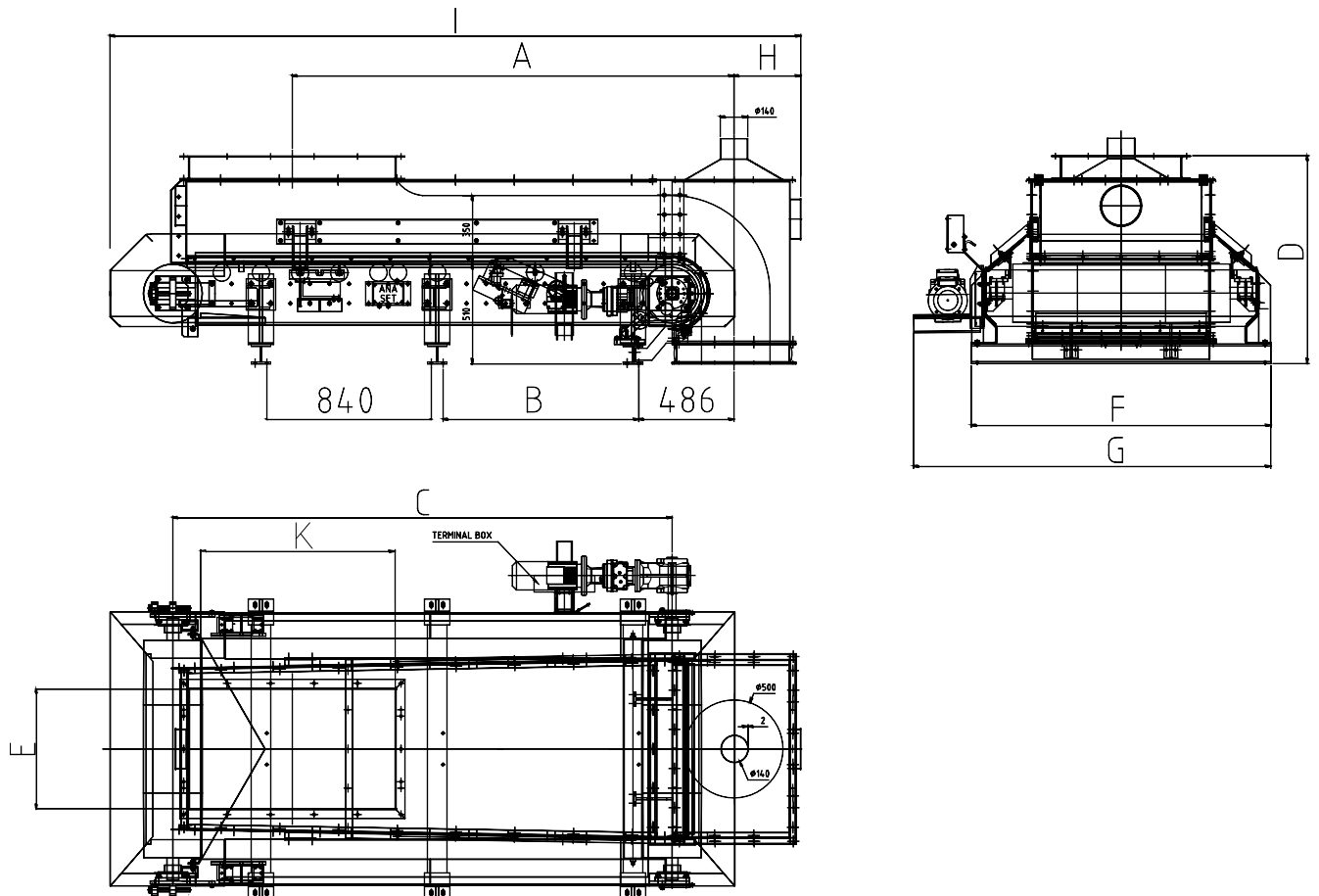
SDU



SCM2-Field

Dimensions:

TYPE	Belt width	A	B	C	D	E	F	G	H	I	K	KG
GRAVIT 1000	1000	2250	1000	2550	1062	610	1530	1830	365	3550	1050	1500


Technical data:

Motor	AC
Protection class	IP55
Rating	from 0,55 kW
Gear unit	Hollow shaft helical-bevel or helical-worm gear
Transmission	Direct on head drum
Working temperature range	-10°C to +60°C
Speed sensor	Digital encoder
Girders and idlers	Mild steel
Materialguide and -cover	Mild steel (Stainless steel on request)
Belt	PVC or rubber, endless vulcanized
Corrosion protection	Primer, Finish coat
Colour & Coating	RAL 5000 blue, 80µ standard

HASLER Group

Headquarter
 Zi de l'abbaye
 38780 PONT-EVEQUE - France

Tel. +33 (0)4 74 16 11 50
 Fax +33 (0)4 74 16 11 55
 E-mail: sales.fr@hasler-int.com

All our addresses are on:
www.hasler-int.com